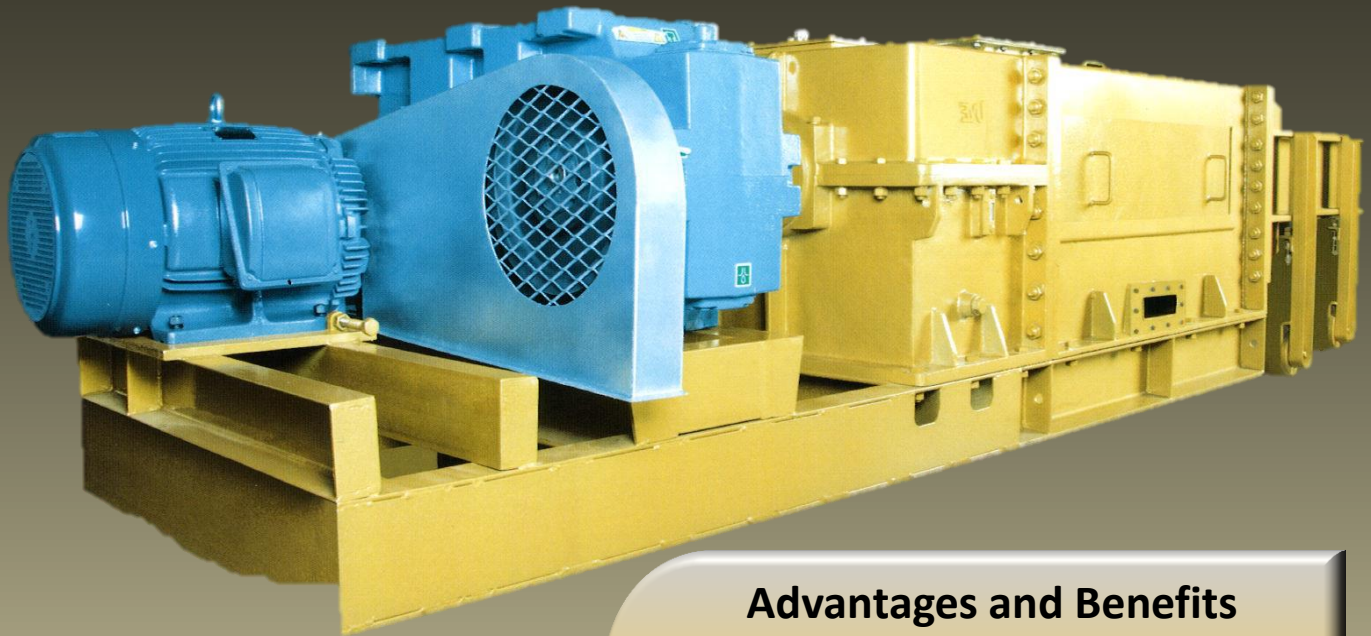




UVE P15 SCREW PRESS

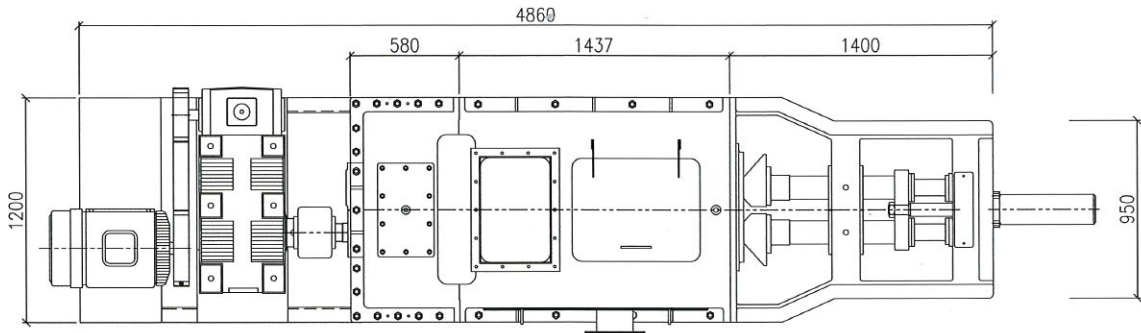


Advantages and Benefits

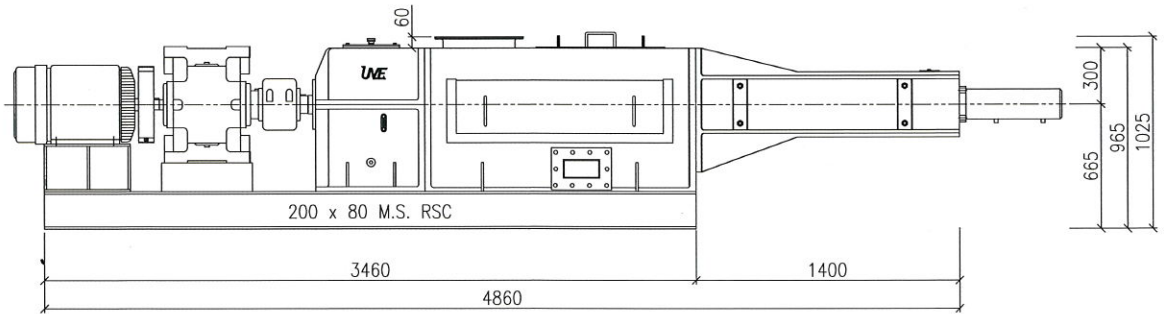
- **Simplicity in Design**
 - An aesthetic robust design fully fabricated from carbon steel using state of the art machinery-careful selection of material ensured quality and lifespan.
- **Simplicity in Operation**
 - Easily integrated with the most reliable and common cone pressure control system ensuring low pressed cake oil losses, low nut breakages and constant throughput.
- **Simplicity in Maintenance**
 - Components are easily accessed detached and assembled to ensure speedy maintenance.

UVE P15 Screw Press

Top View

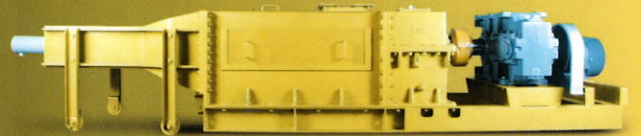
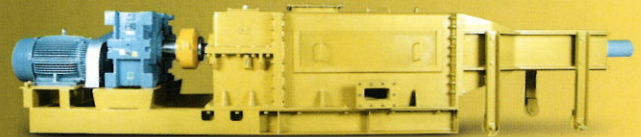


Side View



Specification

Model		UVE P15
Type		Twin Screw Continuous
Capacity		15-17 Tons FFB/Hr
Electric Motor	Power	30KW (40HP)
Gearbox	Brand	SEW or equivalent
Dimension	Length (L)	4860mm
	Width (W)	1200mm
	Height (H)	1025mm
Weight		Approx 5.5MT



UNI-VESSEL ENGINEERING (B'WORTH) SDN BHD (178872-U)

No. 1564, Jalan Tasek, 14120 Simpang Ampat,
Seberang Perai Selatan, Pulau Pinang, West Malaysia

Tel : 604 – 588 8341 Fax : 604 – 588 9615

Email : project@uni-vessel.com

Website : www.uni-vessel.com

Distributor:

